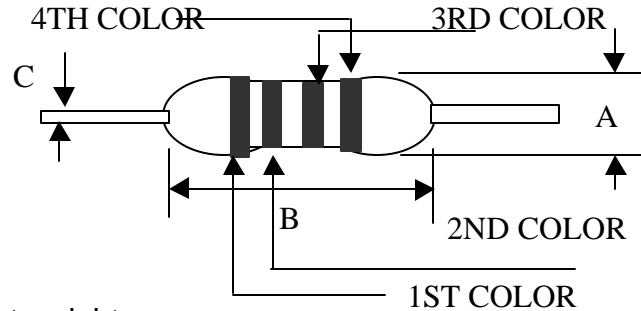


# MINGSTAR

MINGSTAR ELECTRONIC CORP. USA

## LEADED FIXED INDUCTOR



### Features

- \*Compact Design to be small and light-weight.
- \*Wide range of inductance.
- \*Contribute type high Q and self-resonant frequency
- \*Tapping type that is convenient for automatic inserti
- \*Coating epoxy resin that ensure the humidity resistance to be long life.

### Color code

Inductance value are indicated with color code as shown as below

Color code	First significant figure	Second significant figure	Multiplier	Inductance Tolerance(+%)
Black	0	0	1	
Brown	1	1	10	
Red	2	2	100	
Orange	3	3	1000	
Yellow	4	4		
Green	5	5		
Blue	6	6		
Violet	7	7		
Green	8	8		
White	9	9		
Black				20
Gold			0.1	5
Silver			0.01	10

\*Nominal Inductance(uH)

### Dimensions(Unit:mm)

	AL0204	AL0307	AL0410	AL0510
A	2.3(Max)	3.0(Max)	4.0(Max)	4.5(Max)
B	5.0(Max)	7.0(Max)	12.0(Max)	12.0(Max)
C	0.5+0.05mm	0.5+0.05mm	0.65+0.05mm	0.65+0.05mm

365-A CLOVERLEAF DRIVE, BALDWIN PARK, CA 91706

TEL: 626-369-1126 FAX: 626-369-1655 inquiry@mingstar.com www.Mingstar.com

## LEADED FIXED INDUCTOR

Electrical Characteristics

AL0204 SERIES

Part Number	L	Test Frequency	Q	S.R.F	D.C.R	IDC
	(uH)	(MHz)	min	(MHz)min	(Ohm )Max.	(mA)Max
AL0204-R22M	0.22	25.2	35	150	0.4	400
AL0204-R27M	0.24	25.2	35	150	0.43	380
AL0204-R33M	0.33	25.2	35	150	0.48	370
AL0204-R39M	0.39	25.2	35	150	0.51	350
AL0204-R47M	0.47	25.2	35	150	0.56	330
AL0204-R56M	0.56	25.2	35	150	0.61	320
AL0204-R68M	0.68	25.2	35	150	0.67	310
AL0204-R82M	0.82	25.2	35	150	0.74	290
AL0204-1R0K	1	25.2	35	120	0.8	270
AL0204-1R2K	1.2	7.96	40	110	0.9	260
AL0204-1R5K	1.5	7.96	40	80	1	250
AL0204-1R8K	1.8	7.96	40	60	1.1	240
AL0204-2R2K	2.2	7.96	40	45	1.2	230
AL0204-2R7K	2.7	7.96	40	40	1.3	220
AL0204-3R3K	3.3	7.96	40	38	1.4	210
AL0204-3R9K	3.9	7.96	40	35	1.6	200
AL0204-4R7K	4.7	7.96	40	32	1.7	190
AL0204-5R6K	5.6	7.96	40	30	1.9	180
AL0204-6R8K	6.8	7.96	40	28	2	175
AL0204-8R2K	8.2	7.96	40	26	2.2	165
AL0204-100K	10	7.96	40	24	2.5	160
AL0204-120K	12	2.52	40	22	2.5	150
AL0204-150K	15	2.52	40	20	2.8	145
AL0204-180K	18	2.52	40	18	3.1	140
AL0204-220K	22	2.52	40	17	3.4	130
AL0204-270K	27	2.52	40	16	4.3	80
AL0204-330K	33	2.52	40	14	4.7	76
AL0204-390K	39	2.52	40	13	5.2	74
AL0204-470K	47	2.52	40	12	5.8	70
AL0204-560K	56	2.52	40	11	6.4	68
AL0204-680K	68	2.52	40	10	7.2	64
AL0204-820K	82	2.52	40	9.5	11	46
AL0204-101K	100	2.52	40	9	12	44
AL0204-121K	120	0.796	40	8	13	42
AL0204-151K	150	0.796	40	6	16	39
AL0204-181K	180	0.796	40	5.5	18	37
AL0204-221K	220	0.796	40	5	20	35

K=±10%

M=+20%

365-A CLOVERLEAF DRIVE, BALDWIN PARK, CA 91706

TEL: 626-369-1126 FAX: 626-369-1655 inquiry@mingstar.com www.Mingstar.com

## LEADED FIXED INDUCTOR

Electrical Characteristics

AL0307 SERIES

Part Number	L	Test Frequency	Q	S.R.F	D.C.R	IDC
	(uH)	(MHz)	min	(MHz)min ( )Max.	( )Max.	(mA)Max
AL0307-R22M	0.22	25.2	45	150	0.2	400
AL0307-R27M	0.24	25.2	45	150	0.22	380
AL0307-R33M	0.33	25.2	45	150	0.24	370
AL0307-R39M	0.39	25.2	50	150	0.26	350
AL0307-R47M	0.47	25.2	45	150	0.28	330
AL0307-R56M	0.56	25.2	50	150	0.31	320
AL0307-R68M	0.68	25.2	50	150	0.34	310
AL0307-R82M	0.82	25.2	55	150	0.37	290
AL0307-1R0K	1	25.2	60	150	0.4	270
AL0307-1R2K	1.2	7.96	45	140	0.45	260
AL0307-1R5K	1.5	7.96	50	130	0.5	250
AL0307-1R8K	1.8	7.96	45	120	0.55	240
AL0307-2R2K	2.2	7.96	40	100	0.6	230
AL0307-2R7K	2.7	7.96	55	95	0.65	220
AL0307-3R3K	3.3	7.96	40	90	0.75	210
AL0307-3R9K	3.9	7.96	50	60	0.85	200
AL0307-4R7K	4.7	7.96	55	55	0.9	190
AL0307-5R6K	5.6	7.96	50	45	0.95	180
AL0307-6R8K	6.8	7.96	45	30	1.1	175
AL0307-8R2K	8.2	7.96	45	25	1.2	165
AL0307-100K	10	7.96	45	21	1.3	160
AL0307-120K	12	2.52	50	18	1.5	150
AL0307-150K	15	2.52	50	16	1.7	145
AL0307-180K	18	2.52	40	13	1.8	140
AL0307-220K	22	2.52	45	10	2	130
AL0307-270K	27	2.52	50	9	2.4	125
AL0307-330K	33	2.52	50	8	2.8	120
AL0307-390K	39	2.52	45	7	2.7	115
AL0307-470K	47	2.52	50	7	3	110
AL0307-560K	56	2.52	50	6.5	3.3	105
AL0307-680K	68	2.52	45	6	3.8	100
AL0307-820K	82	2.52	50	5.3	4.5	95
AL0307-101K	100	2.52	45	4.8	5	90
AL0307-121K	120	0.796	40	3.8	6	90
AL0307-151K	150	0.796	40	3.5	7	85
AL0307-181K	180	0.796	40	3.3	8	80
AL0307-221K	220	0.796	40	3	9	75
AL0307-271K	270	0.796	40	2.8	19	65
AL0307-331K	330	0.796	40	2.6	20	60
AL0307-391K	390	0.796	40	2.4	22	55
AL0307-471K	470	0.796	40	2.3	24	55
AL0307-561K	560	0.796	40	2.1	26	50
AL0307-681K	680	0.796	40	1.95	28	45
AL0307-821K	820	0.796	40	1.85	30	40
AL0307-102K	1000	0.796	40	1.4	33	40

365-A CLOVERLEAF DRIVE, BALDWIN PARK, CA 91706

TEL: 626-369-1126 FAX: 626-369-1655 inquiry@mingstar.com www.Mingstar.com

## LEADED FIXED INDUCTOR

### Electrical Characteristics

### AL0410 SERIES

Part Number	L	Test Frequency	Q	S.R.F	D.C.R	IDC
	(uH)	(MHz)	min	(MHz)min	( )Max.	(mA)Max
AL0410-R22M	0.22	25.2	50	300	0.12	1400
AL0410-R27M	0.24	25.2	50	260	0.13	1320
AL0410-R33M	0.33	25.2	55	250	0.14	1280
AL0410-R39M	0.39	25.2	55	230	0.15	1200
AL0410-R47M	0.47	25.2	50	220	0.17	1150
AL0410-R56M	0.56	25.2	50	200	0.18	1100
AL0410-R68M	0.68	25.2	55	190	0.2	1030
AL0410-R82M	0.82	25.2	55	172	0.21	980
AL0410-1R0K	1	25.2	45	157	0.21	920
AL0410-1R2K	1.2	7.96	50	144	0.22	880
AL0410-1R5K	1.5	7.96	50	131	0.23	830
AL0410-1R8K	1.8	7.96	55	121	0.28	790
AL0410-2R2K	2.2	7.96	55	110	0.28	750
AL0410-2R7K	2.7	7.96	60	100	0.3	720
AL0410-3R3K	3.3	7.96	65	94	0.34	670
AL0410-3R9K	3.9	7.96	65	65	0.37	640
AL0410-4R7K	4.7	7.96	70	56	0.39	620
AL0410-5R6K	5.6	7.96	70	50	0.43	590
AL0410-6R8K	6.8	7.96	75	40	0.49	550
AL0410-8R2K	8.2	7.96	80	35	0.55	530
AL0410-100K	10	7.96	65	30	0.63	500
AL0410-120K	12	2.52	55	25	0.65	480
AL0410-150K	15	2.52	55	20	0.81	460
AL0410-180K	18	2.52	50	14	0.82	430
AL0410-220K	22	2.52	50	9	0.95	410
AL0410-270K	27	2.52	45	7	1.05	390
AL0410-330K	33	2.52	45	6	1.05	370
AL0410-390K	39	2.52	45	6	1.1	350
AL0410-470K	47	2.52	40	6	1.31	340
AL0410-560K	56	2.52	40	5.5	1.38	320
AL0410-680K	68	2.52	40	5	1.62	305
AL0410-820K	82	2.52	35	5	1.71	290
AL0410-101K	100	2.52	30	4.5	2.1	275
AL0410-121K	120	0.796	55	3.5	3.1	185
AL0410-151K	150	0.796	55	3	3.45	175
AL0410-181K	180	0.796	55	2.8	4.1	165
AL0410-221K	220	0.796	60	2.5	4.54	155
AL0410-271K	270	0.796	65	2.3	5.15	145
AL0410-331K	330	0.796	60	2	6.4	137
AL0410-391K	390	0.796	65	2	7.15	133
AL0410-471K	470	0.796	60	1.9	7.7	126
AL0410-561K	560	0.796	50	1.8	8.5	120
AL0410-681K	680	0.796	55	1.5	9	113
AL0410-821K	820	0.796	45	1.2	10.5	105
AL0410-102K	1000	0.796	40	1	14	100

365-A CLOVERLEAF DRIVE, BALDWIN PARK, CA 91706

TEL: 626-369-1126 FAX: 626-369-1655 inquiry@mingstar.com www.Mingstar.com